

IDEA TO FINISHED PRODUCT



2025 PRODUCT GUIDE

# Looking Ahead. Fast Forward.

Progress demands constant focus. Our enthusiasm for developing technological leaps is refueled every day with energy and curiosity. After all, this is not the time for incremental change, but for fresh thinking within new parameters — especially to achieve our goal of net zero by 2035.

As the market evolves toward "renewable", our customers are drawn to more sustainable designs, including products that can be recycled and repaired. We are expanding our offerings for product differentiation, anticipating customer needs, and their own response to new market requirements.

Collaboration remains king. We are sharing ideas with customers at an earlier stage of development — the design stage — so innovations can happen before specifications are determined. This reduces time-to-market, expands the choice of materials, and sets the stage for more efficient manufacturing.

At GT, progress is people. Making our spaces accessible for people with physical and emotional disabilities, or other special needs, creates a more dynamic, inclusive working environment. And bigger ideas are sparked with a more diverse group of skilled professionals.

Yet, as we look forward to creating positive impact, we never lose sight of our signature traits: innovation, reliability, and ultimately, competitiveness.

**At every level we at GT are taking our mantra to heart — Go Beyond.**

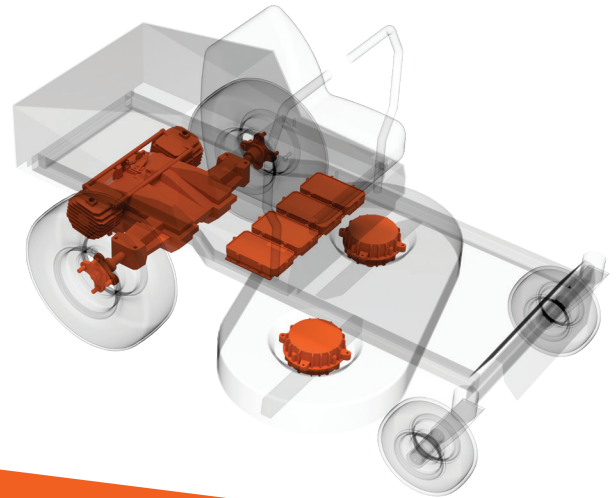
Want to Go Beyond? Challenge Us!



## Get to Know Our Complete Systems.

Our Complete Systems are a culmination of decades of technological know-how developed at both GT and Actuator. It's a double-strength resource for your battery-powered equipment: walk-behind, ride-on, and robots. A one-stop resource. Drive systems, blade motors, and controllers are fully integrated for seamless functionality. GT Complete Systems meet the needs of a changing landscape with the ability to customize for specific applications, allowing customers to go to market quicker than ever.

Our electric wheeled solutions are optimized for efficiency and achieving better performance. And the GT Complete Systems lineup presents comprehensive drive solutions to cover all the essential elements of your next OPE release. Whether for ZTR, Walk-Behind, or Robot applications, our Complete System options synthesize our patented technologies into one integrated package.



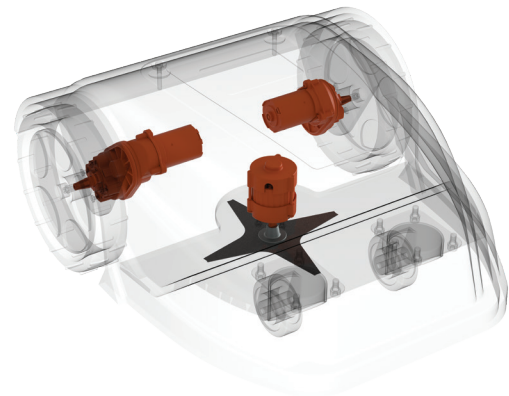
### Ride-On

Our innovative concept for electric ZTRs featuring a transaxle rather than 2 separate motors, makes the chassis design simpler, and ensures structural rigidity. The GT complete electric system is an integrated package, comprising of the transaxle, blade motors, controllers and vehicle control system, plus the know-how that makes the components work as one.



### Walk Behind

GT has the ability to supply transmissions, blade motors, and controllers along with the engineering know-how to reduce your engineering load and shorten your time to market. Concentrate on the chassis. We'll take care of the rest, saving you time and money.



### Robot

Our offering of transmissions and blade motors allows us to collaborate and integrate with your in-house engineering. Our robot systems benefit from three decades of experience in the lawn and garden drive industry. All motors can be customized to meet your exact specifications.

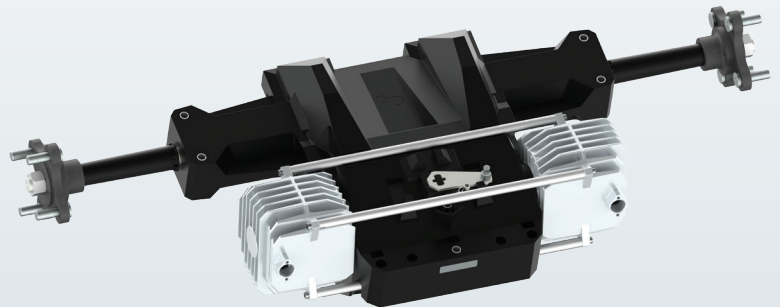
# Electric Transmissions

GT remains the industry leader in electric transmissions for lawn care. Our 30-year track record plus our elite R&D enable you to bring environmentally-friendly and cost-efficient solutions to market faster than ever. Explore our advanced power-driven, variable-speed transmissions that make belts and pulleys obsolete.

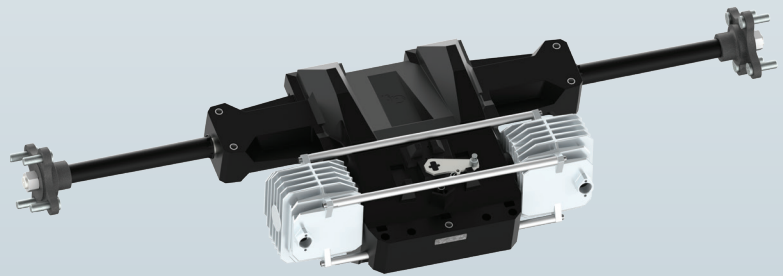
Transmission Characteristics		
Max Power	Max Weight	Design Life
<b>ZTR Transmissions</b>		
EZ 2000		
2 x 1000 W	450 kg	300 Hrs
EZ 2200		
2 x 1200 W	550 kg	300 Hrs
<b>Walk Behind Transmissions</b>		
ME 310/312		
350 W	35 kg	200 Hrs
ME 410/412		
425 W	45 kg	200 Hrs
ME 510/512		
500 W	55 kg	200 Hrs
ME 520/522		
500 W	55 kg	400 Hrs
ME 612		
600 W	65 kg	200 Hrs
ME 622		
600 W	65 kg	500 Hrs
ME 722		
700 W	75 kg	500 Hrs
<b>Robot Transmissions</b>		
RM 300		
17 W	15 kg	8000 Hrs

## ZTR

EZ 2000



EZ 2200



## Walk Behind

ME 310-522

ME 612-622

ME 722

## Robot

RM 300



# Controllers & Motors

For specific applications, the flagship components of our electric GT One lineup are available individually. We offer powerful motors optimized for a variety of footprints, and chassis options. Pair our tailor-made controllers with any motor for handheld and wheeled OPE solutions for landscaping, sawing, and snow removal.

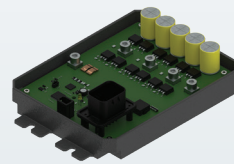
Controller Characteristics
Power Range
Control Units
PMDC Traction
300 W – 600 W
BLDC Traction
500 W – 4000 W
BLDC PTO
700 W – 6000 W
Controller Display
LCD Display
2.7" – Monochrome – LED Backlight

Wheeled Motor Characteristics		
Max Torque	Max Power	Voltage
Ride-On Blade Motor		
BL140 x 42		
3145 mNm	1100 W	44 V
Snow Thrower Motor		
GM3000		
8100 mNm	3000 W	50 V
Walk Behind Blade Motors		
PM100 x 60		
1085 mNm	390 W	32 V
BL100 x 33		
1150 mNm	475 W	28 V
Robot Blade Motor		
BL63 x 28		
200 mNm	80 W	27 V

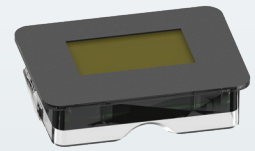
Visit us at [generaltransmissions.com](http://generaltransmissions.com) for complete technical specifications and expanded product listings.

## Controllers

### Control Unit

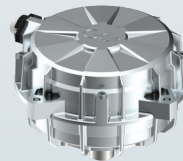


### Controller Display



## Wheeled OPE

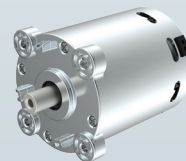
### Ride-On Blade Motor



### Snow Thrower Motor



### Walk Behind Blade Motor

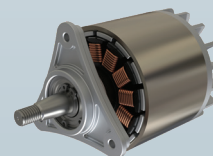


### Robot Blade Motor

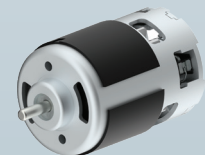


## Handheld OPE

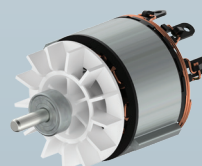
### Leaf Blower



### String Trimmer



### Hedge Trimmer



### Chainsaw



# Motors for Handheld

Full electric power, now quieter than ever. GT's line of power solutions for electric handheld outdoor power equipment is setting a new standard. With enhanced testing in our on-site "quiet room", and robot testing site, rest assured that your handheld equipment is more user and neighbor-friendly than ever. No compromises.

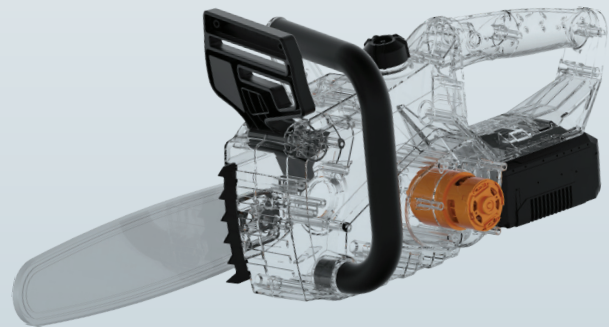
Handheld Motor Characteristics		
Max Torque	Max Power	Voltage
<b>Leaf Blower Motors</b>		
BL48 x 23		
195 mNm	400 W	25 V
PM42 x 30		
105 mNm	200 W	18 V
PM48 x 17		
145 mNm	120 W	18 V
<b>String Trimmer Motors</b>		
PM42 x 30		
90 mNm	80 W	18 V
PM42 x 31		
105 mNm	100 W	18 V
PM48 x 29		
210 mNm	340 W	40 V
<b>Hedge Trimmer Motor</b>		
BL48 x 18		
38 mNm	35 W	10.8 V
<b>Chainsaw Motors</b>		
PM42 x 32		
130 mNm	270 W	18 V
PM48 x 30		
215 mNm	470 W	18 V

Outer Rotor Motors			
OR	Max torque (mNm)	Power (W)	Voltage (V)
OR28	425	242	8
OR40	4050	2400	48
OR62	6390	1940	56
OR80	16920	4450	56
OR100	36000	3390	44

## Leaf Blower



## Chainsaw



## String Trimmer



# Gas Transmissions

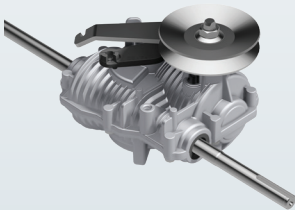
The world leader in gas walk-behind mower transmissions. From economical single-speed models to smooth, variable-speed drives, our transmissions are the most practical, cost-efficient, and dependable products available. With over 40 million walk-behind transmissions sold, quality and performance are assured.

## Full Selection of Commercial and Residential Solutions.

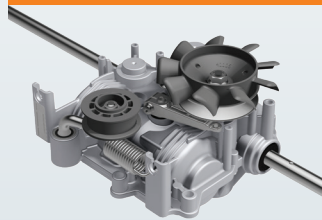
The models shown are just 4 of 16 models available. They have different clutch technologies depending on the required torque, expected lifetime and needed price point to meet your exact specifications.

### Commercial

MV 500/502

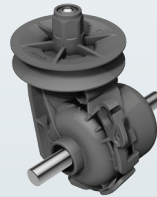


MV 702

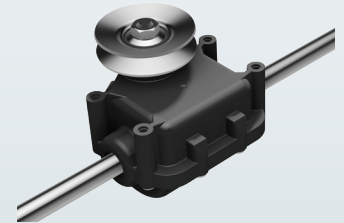


### Residential

MD 200

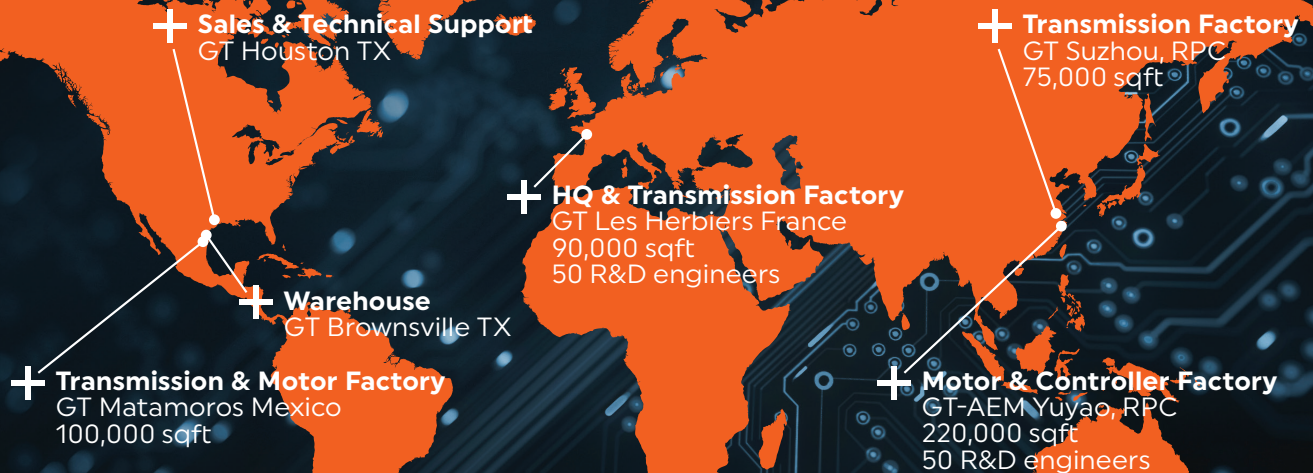


MA 302



## A WORLDWIDE PRESENCE FOR GREATER EFFICIENCY

Building on our success with gas-powered lawn mower and snowblower transmissions, we are committed to continuing innovation with battery-powered solutions worldwide.





**Go Beyond.** [generaltransmissions.com](http://generaltransmissions.com)

Europe (+33) 2 51 66 96 30 | United States (956) 541-3443 | Asia (+86) 512 69367280